

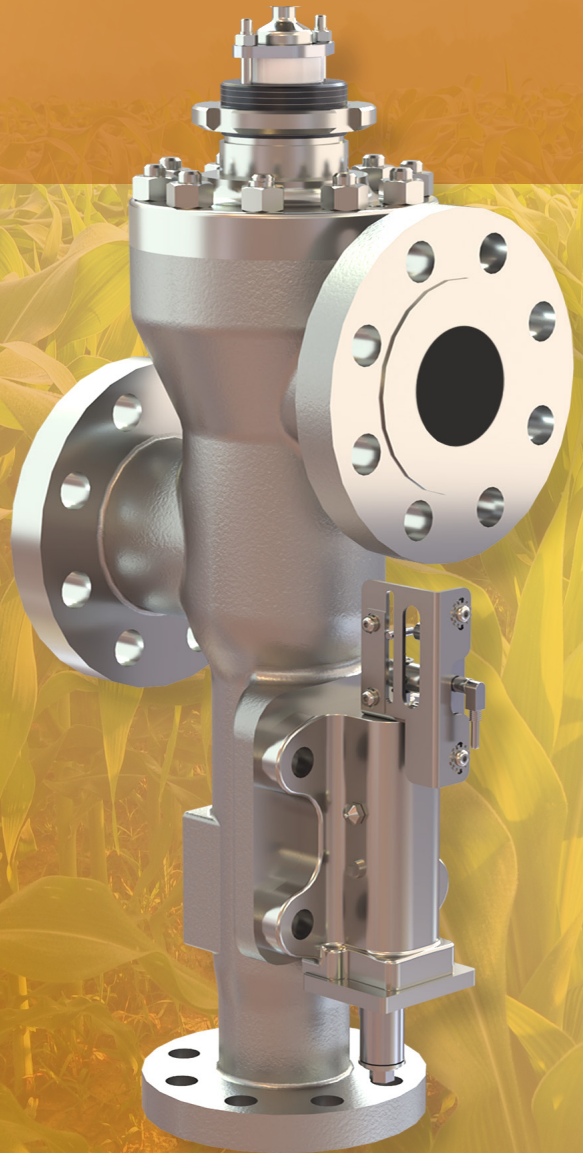
The Perfect Temperature. Every Time.

hydro
THERMAL

INDUSTRIAL

HYDROHEATER

The original Jetcooker™
K-Series & M-Series



Making complex heating simple - the Hydroheater® is the right choice for both liquids and slurries.

HYDROHEATER

Ideal for heating a wide range of liquids and slurries, the Hydroheater® utilizes patented internal technology to efficiently transfer heat from steam to a liquid.

BENEFITS



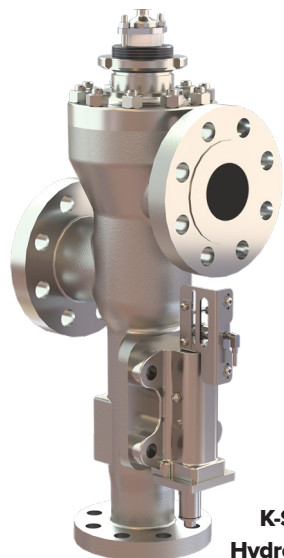
Precise temperature control (+/- 1 degree) helps you reach & hold your desired set point



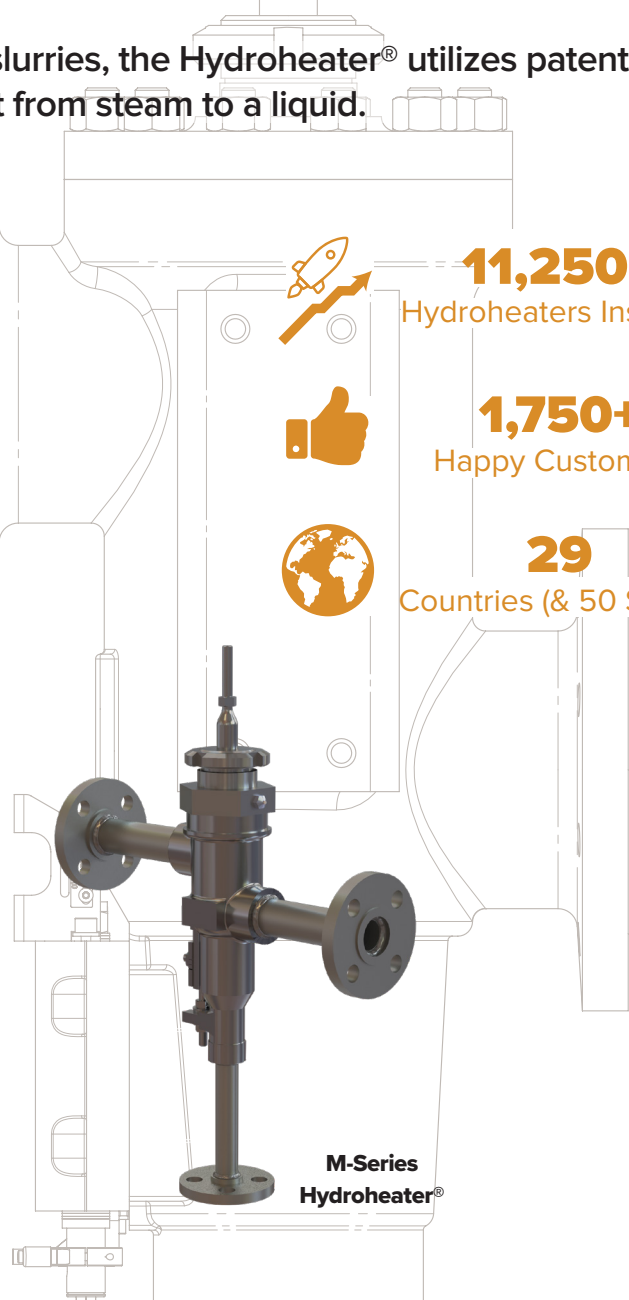
Uniform Heating of water, liquids, and slurries



Process Flexibility & Stability ensured through a detailed design and engineering process



**K-Series
Hydroheater®**



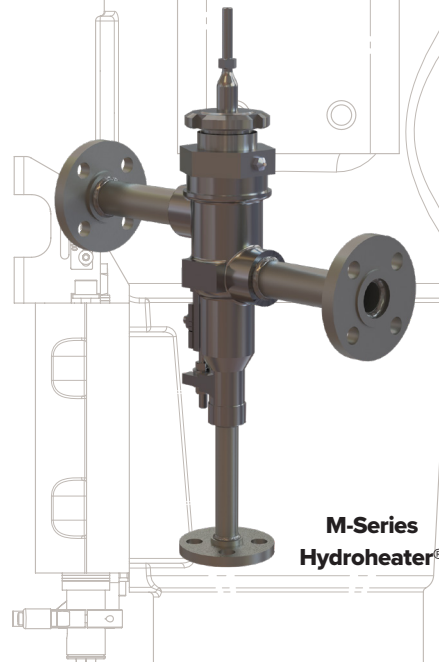
11,250+
Hydroheaters Installed



1,750+
Happy Customers



29
Countries (& 50 States)



**M-Series
Hydroheater®**

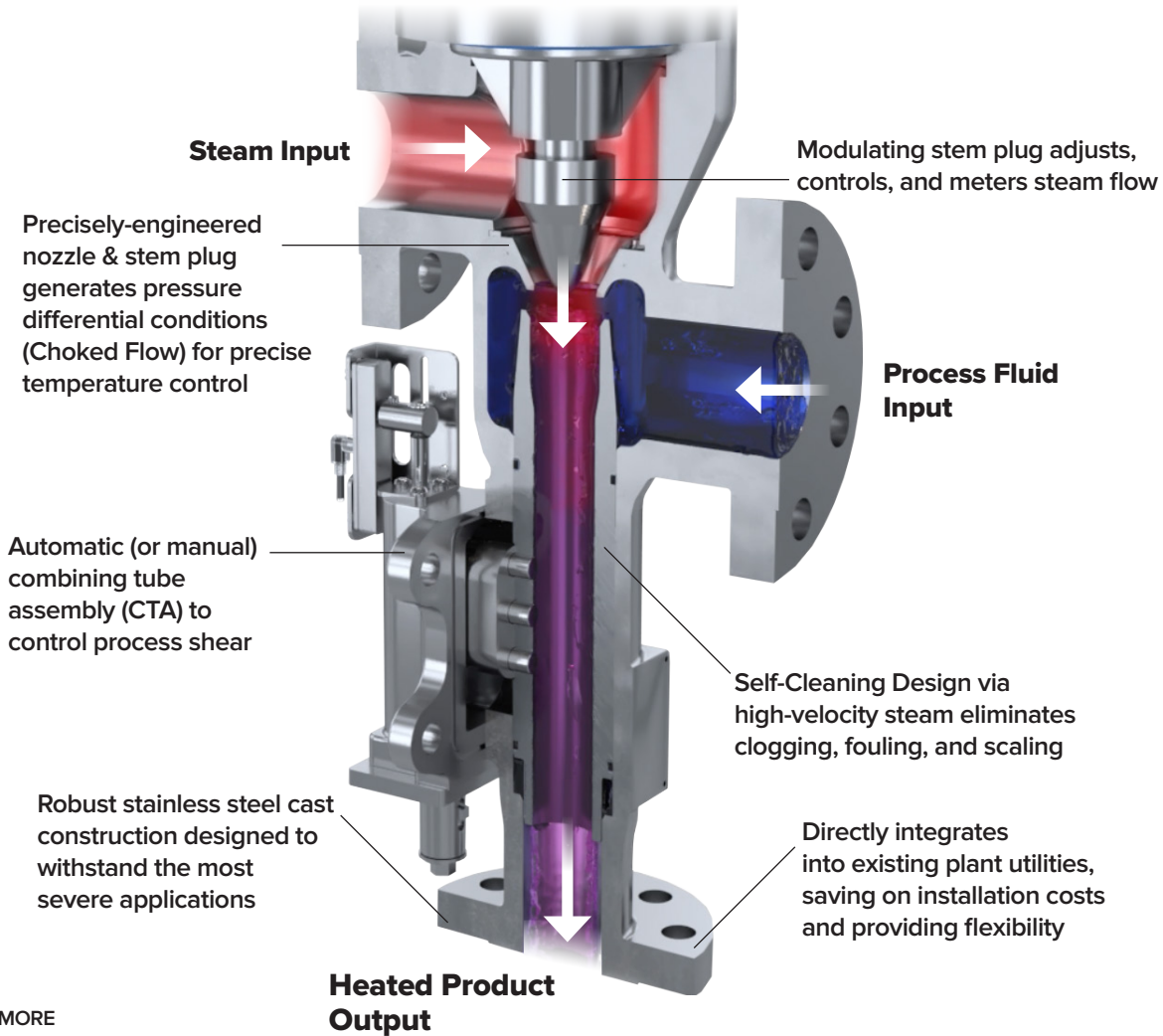
**PROVEN TECHNOLOGY –
RIGHT FROM THE SOURCE**

Built upon our patented choked flow and internal modulation technology, the Hydroheater®, which is the **original Jetcooker™**, is the answer to your water, liquid, and slurry heating needs. Through its robust design, this heating solution delivers instantaneous heat, increasing process efficiency and your bottom line.

Both the **K-Series & M-Series** Hydroheater® product lines cover a wide array of industries, tailored to your specific needs. The Hydroheater® is a testament to our legacy and the ideal solution for you.

FEATURES

- **Patented internal design** allows for precise control of steam & turn-down adjustability
- **Self-Cleaning Design** eliminates scale build-up and product fouling
- **Steam Flow Control** creates consistent, instantaneous mixing & steam velocity while eliminating hammer & vibration
- **Choked Flow technology** accurately meters steam for precise temperature control



FOR MORE
PRODUCT INFORMATION



SCAN HERE

PERFORMANCE GUARANTEE



Confidence

100% performance guarantee gives you peace of mind that our products will perform as specified by YOUR application.

HYDROHEATER

SPECIFICATIONS

Applications

Starch Cooking
 Biofuels
 Anaerobic Digestion
 Starch Conversion
 General Water Heating

Industries Served

Ethanol, Starches & Sweeteners
 Paper & Pulp
 Chemical
 Food & Beverage

Pressure & Temperature

K-Series Hydroheater
 Max pressure - 300 PSIG / 20.7 Barg
 Max temperature - 450°F / 232°C

M-Series Hydroheater
 Max pressure - 300 PSIG / 20.7 Barg
 Max temperature - 450°F / 232°C

Flow Turndown

K-Series Hydroheater
 3:1 turndown ratio (Water)
 2:1 turndown ratio (Viscous Slurries)

M-Series Hydroheater
 3:1 turndown ratio (Water)
 2:1 turndown ratio (Viscous Slurries)

Connection Types

ANSI Class 150 & Class 300
 DIN PN16, PN25, PN40
 Other custom connections available

Materials of Construction

316 Stainless Steel
 Other custom materials available

Sizing & Process Parameters

K-Series 2 1/2"-10" / DN65-DN250

	K610		K611		K612		K613		K614		K615	
Steam Inlet (in. / mm)	2.5	63.5	3.0	76.2	3.0	76.2	4.0	101.6	6.0	152.4	8.0	203.2
Process Inlet (in. / mm)	2.5	63.5	3.0	76.2	3.0	76.2	4.0	101.6	6.0	152.4	8.0	203.2
Process Outlet (in. / mm)	2.0	50.8	2.0	50.8	2.5	63.5	4.0	101.6	6.0	152.4	8.0	203.2
Min. Flow (GPM / m ³ /hr)	28.0	6.4	40.0	9.1	40.0	9.1	120.0	27.3	300.0	68.1	400.0	90.9
Max. Flow (GPM / m ³ /hr)	174.0	39.5	402.0	91.3	402.0	91.3	750.0	170.3	1,800.0	408.8	2,500.0	567.8
Weight (lbs. / kg)	160.0	72.6	297.0	134.7	305.0	138.4	447.0	202.8	704.0	319.3	934.0	423.7

Larger sizes are available upon request - contact your Sales Representative for more information

Sizing & Process Parameters

M-Series 3/4"-2 1/2" / DN20-DN65

	M103		M104		M105		M106		M107		M108	
Steam Inlet (in. / mm)	0.75	19.1	0.75	19.1	1.0	25.4	1.0	25.4	1.5	38.1	1.5	38.1
Process Inlet (in. / mm)	0.75	19.1	0.75	19.1	1.0	25.4	1.0	25.4	1.5	38.1	1.5	38.1
Process Outlet (in. / mm)	0.13	3.2	0.25	3.2	0.50	9.5	0.50	9.5	0.75	19.1	1.0	25.4
Min. Flow (GPM / m ³ /hr)	1.5	0.3	1.5	0.3	2.4	0.6	2.4	0.6	6.5	1.5	6.5	1.5
Max. Flow (GPM / m ³ /hr)	10.0	2.3	10.0	2.3	25.0	5.7	25.0	5.7	46.0	10.4	46.0	10.4
Weight (lbs. / kg)	18.0	8.2	18.0	8.2	48.0	21.8	48.0	21.8	72.0	32.7	72.0	32.7

Larger sizes are available upon request - contact your Sales Representative for more information

THE GLOBAL REACH OF HYDRO-THERMAL

From the original Hydroheater® developed in 1934 to our latest designed and engineered solutions today, we harness the power of steam. We design, engineer, and deliver ultra-precise and dependable heating solutions that optimize temperature control, increase energy efficiency, and minimize maintenance requirements.

With more than **20,000 installations in 90+ countries** – all backed by our 100% performance guarantee – we help you achieve **The Perfect Temperature. Every Time.**

Need more information about Hydro-Thermal products?

✉ info@hydro-thermal.com

🌐 www.hydro-thermal.com

☎ 800.952.0121

hydro
THERMAL®

The Perfect Temperature.
Every time.



HH-644 Rev. A / 2023

©2023 Hydro-Thermal Corp. All Rights Reserved.

Hydro-Thermal is protected under U.S. and foreign patents and trademarks.

400 Pilot Court | Waukesha, WI 53188

Follow us [in](https://www.linkedin.com/company/hydro-thermal) @Hydro-Thermal